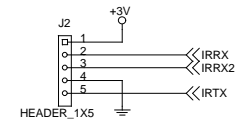
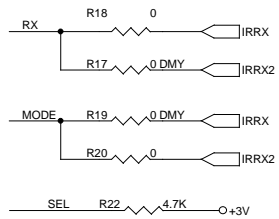
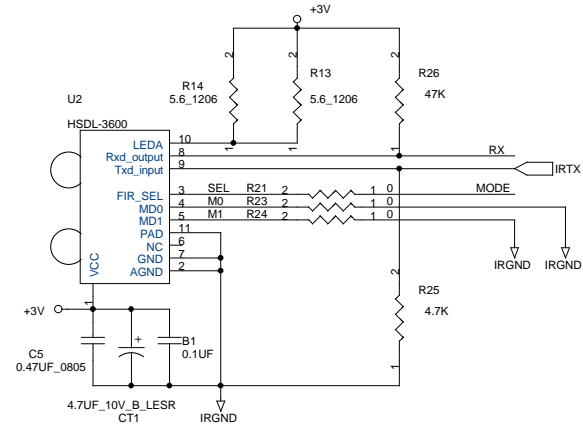
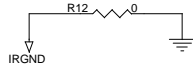


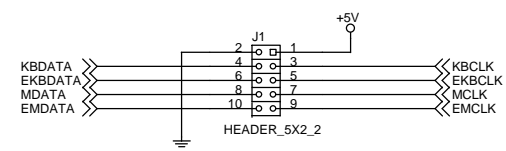
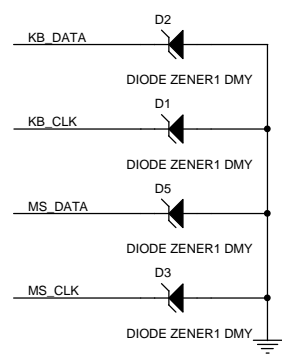
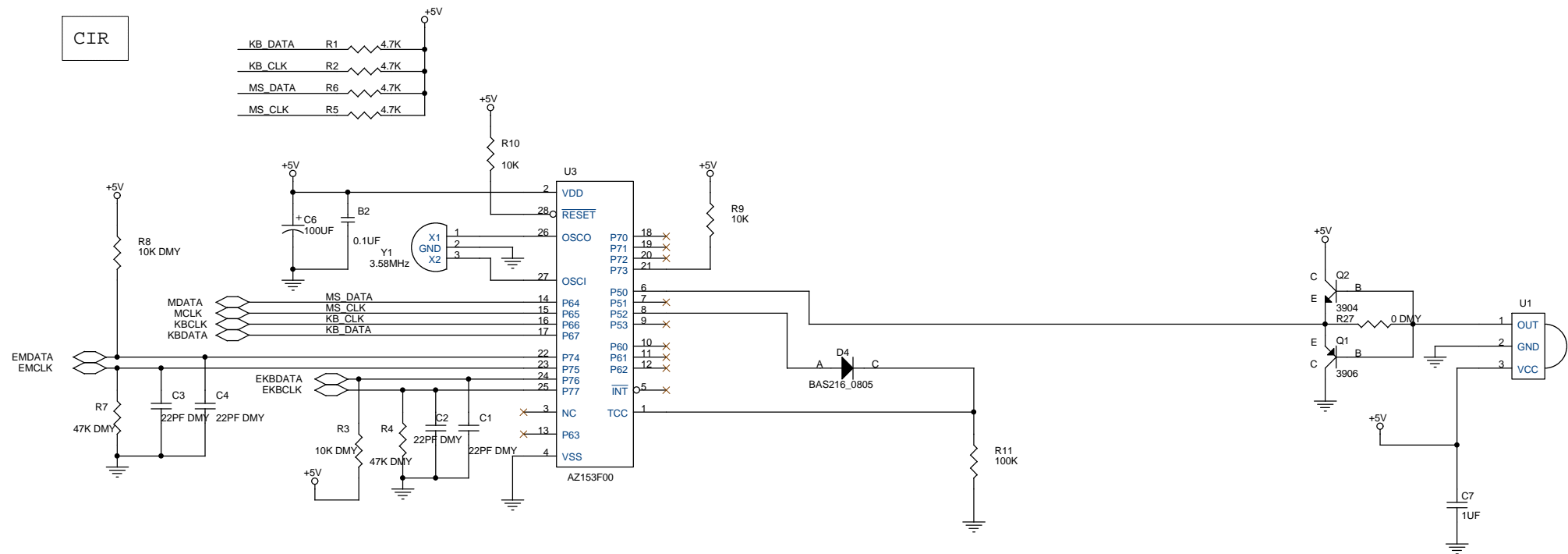
FIR



CLOSE TO IR MODULE



CIR



| | | |
|-------------------------------|---------|------|
| VIA TECHNOLOGIES, INC. | | |
| Title: CIR | | |
| Size: Document Number | Rev B | |
| VT6009-R | | |
| Date: Friday, April 12, 2002 | Sheet 2 | of 3 |

| Revision | Description | Date | Page | Note |
|----------|---|------------|--------|------|
| A | Initial Design | 2001/03/02 | | |
| B | Exchanged Some Resistors to DMY Resistors | 2001/06/27 | Pg 1,2 | |
| | | | | |
| | | | | |
| | | | | |
| | | | | |
| | | | | |
| | | | | |
| | | | | |
| | | | | |
| | | | | |
| | | | | |
| | | | | |
| | | | | |
| | | | | |
| | | | | |
| | | | | |
| | | | | |
| | | | | |
| | | | | |